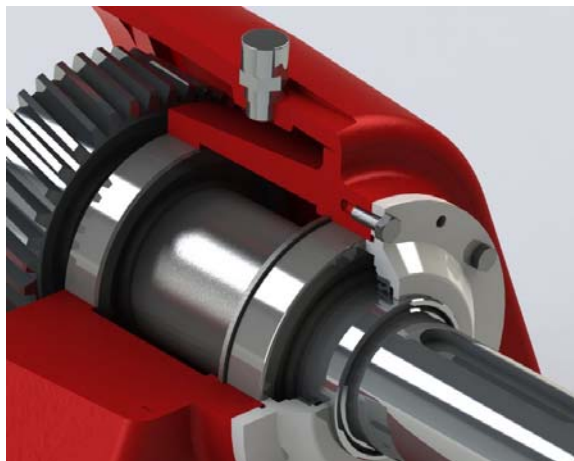
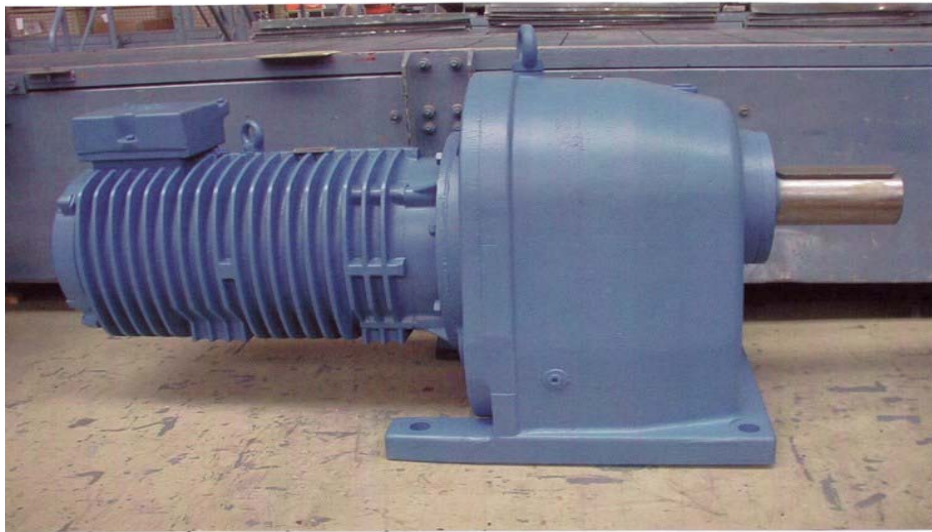


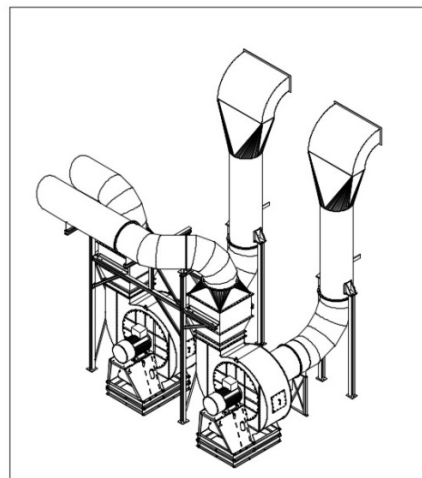
## 1. Rolling gear



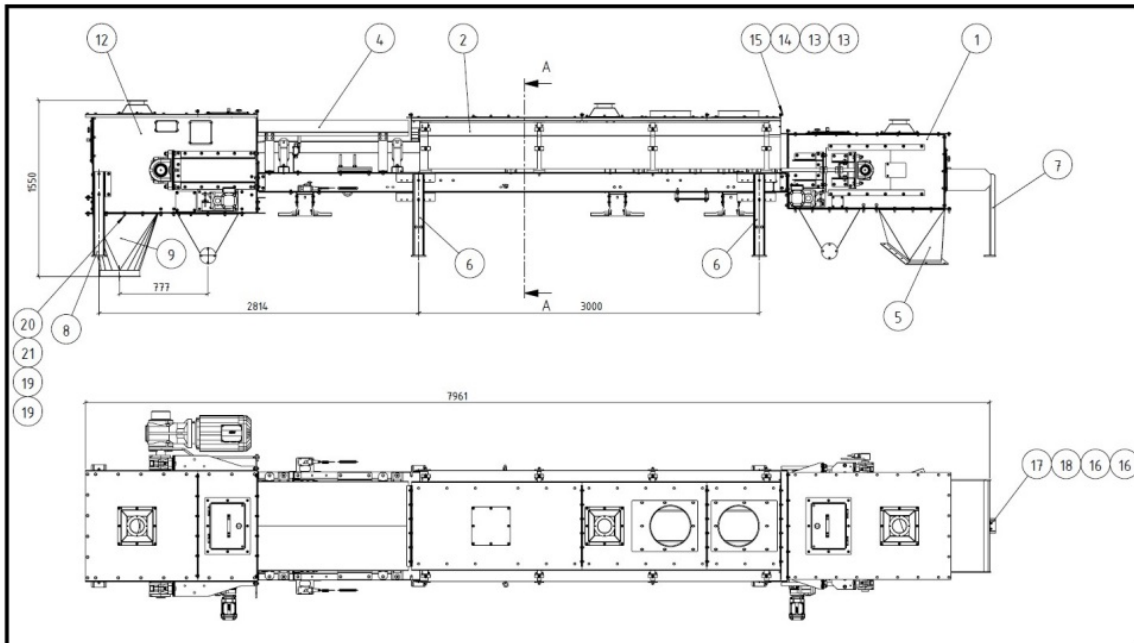
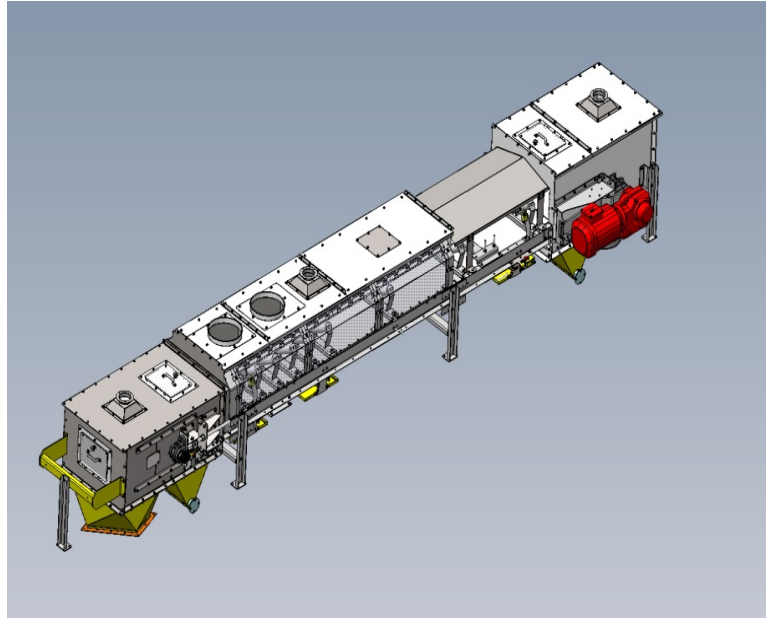
## 2. Gearbox housing for RWE-power plants in Germany



3. Filters and ciklons for Industry



4. Belt conveyour



## 5. GOK-Kippventil

